



*Melik*

**USER MANUAL**

---

# “ THANK YOU FOR CHOOSING A DERYA PRODUCT ”

## THIS BOOKLET WILL GUIDE YOU THROUGH HANDLING YOUR FIREARM SAFELY



**PLEASE NOTE: CHANGES MAY BE MADE WITHOUT NOTICE**

Your pistol features an innovative and unique design. With regular care and cleaning, your pistol will serve you for a life time. The pistol was manufactured by DERYA from high quality raw materials and with high-tech CNC machines in our factory.

Please read and understand all the directions and instructions in this Manual to guarantee the best performance and a safe shooting experience. Maintain your pistol properly in accordance with these instructions so it will remain safe, and performs properly.

Always remember that you are using a pistol; always follow all safety rules and be aware that it is your responsibility to share your knowledge, and educate others in the safe use of this pistol.

Before firing a cartridge, learn the parts of your pistol and understand how it operates. Please read this manual carefully and enjoy your pistol safely.

### MAINTENANCE INSTRUCTIONS:

#### 1) NEVER MAKE CHANGES OR ALTERATIONS TO YOUR PISTOL

This pistol was built to a proven and tested design, and manufactured with care. It must NEVER be altered or changed. Changing or altering any part of your pistol may result in serious injuries to you or others, and is NOT RECOMMENDED by the manufacturer. Any changes made to the pistol or use of non-factory parts voids the factory warranty.

#### 2) PROPER CARE AND STORAGE

Regular care and cleaning of your pistol is key to its proper functionality and reliability. ALWAYS make sure that the pistol is UNLOADED before you leave the range and check it again before you start the cleaning process.

### THE RESPONSIBILITIES OF THE USER

Appreciate and enjoy your rights with care. Be aware that, as an owner of a pistol, you are responsible for ensuring your own safety and that of your shooting partners, observers, and the environment.

## DISCLAIMER

This pistol is classified as a pistol or dangerous weapon. It is expressly understood that we assume no liability for its resale or unsafe handling under local laws and regulations. Derya assumes no responsibility for physical injury or property damage resulting from either intentional or accidental discharge, or for the function of the pistol subjected to influence beyond their control. Derya will honor no claims which may result from careless handling, unauthorized adjustments, defective or improper ammunition, corrosion or neglect. Examine your pistol carefully at the time of purchase. It should be forwarded immediately to the factory or its sales agent if any adjustment of any kind is required.



### DERYA DOES NOT ACCEPT ANY RESPONSIBILITIES FOR DAMAGE DUE TO THE FOLLOWING CAUSES

- 1) INCORRECT OR IRRESPONSIBLE USE OF THE FIREARM
- 2) USE OF INCORRECT CALIBER AMMUNITION OR RELOADED, DAMAGED OR IMPROPER CARTRIDGES
- 3) INSUFFICIENT AND/OR INCORRECT MAINTENANCE OR CLEANING WHICH CAUSES TO DAMAGE OR WEAR
- 4) SALE CONTRARY TO APPLICABLE LAWS AND REGULATIONS
- 5) CHANGING OR CONVERSION OF THE PISTOL'S ORIGINAL DESIGN, SLIDE, BARREL, MAIN SPRING, ACCESSORIES, MAGAZINES OR MECHANICALS
- 6) CARELESS, DANGEROUS OR CRIMINAL USE
- 7) USING THE FIREARM WITHOUT FIRST READING, UNDERSTANDING AND FOLLOWING ALL SAFETY RULES
- 8) ANY OTHER USE OR ACTION THAT IS BEYOND THE DIRECT CONTROL OF THE MANUFACTURER
- 9) WEAR PROTECTIVE SHOOTING GLASSES, ADEQUATE EAR PROTECTION AND GLOVES WHEN SHOOTING

## IMPORTANT WARNING

- 1) Read the instructions booklet completely before using your pistol.
- 2) Always be aware of the handling and functional characteristics of your pistols.
- 3) Always unload your pistol when not in use (remove all cartridges).

When stored or not in use, pistols should always be unloaded.

Always remove all cartridges and inspect the chamber to ensure your pistol is unloaded.

- 1) After shooting.
- 2) Before racking or after picking up the pistol.
- 3) Before putting the gun into its case.
- 4) Any time you are not using your pistol.
- 5) Before handing your gun to anyone else.
- 4) ALWAYS KEEP YOUR FIREARM POINTED IN A SAFE DIRECTION. This ensures you do not injure yourself or anyone else.
- 5) ALWAYS STORE YOUR FIREARM OUT OF REACH OF CHILDREN OR OTHER UNAUTHORIZED PEOPLE.

There are many ways of keeping your pistols locked and stored safely and securely. Always secure your pistol in accordance with applicable laws in your area and always unload and then lock the pistol when not in use or whenever it will be unattended.

**6) ALWAYS OBEY ALL LAWS REGARDING OWNERSHIP, TRANSPORT, AND SHOOTING YOUR PISTOL.** Never point your pistol at a person. Do not harm any person or damage any public property.

**7) IF YOUR FIREARM DOES NOT FIRE AFTER PULLING THE TRIGGER: STOP, WAIT A MINUTE, AND USE EXTRA CAUTION WHEN PULLING THE SLIDE.** If your pistol did not fire after pulling the trigger STOP! Keep the pistol pointed in a safe direction, wait 60 seconds. Carefully open the slide and eject the shell in a safe direction. Always remember when you experience a misfire, your pistol is still loaded and could fire at any time (a “hang fire”).

**8) ALWAYS TREAT YOUR FIREARM AS IF IT IS LOADED,** Always keep your finger away from the trigger unless you are on target and prepared to shoot. Never forget that you are responsible for the direction your pistol is pointing. Do not count on a mechanical device.

**9) This pistol was produced under the control and supervision of DERYA.** The pistol must never be altered. Derya does not recommend the use of any spare parts or accessories and magazines other than those included in the original box or received from Derya. If you need magazines, spare parts or repair, contact our authorized distributor in your country or Derya ONLY.

**10) ENSURE THE BARREL IS NOT PLUGGED OR OBSTRUCTED BEFORE YOU LOAD YOUR GUN.** The barrel should not have any residue from bore cleaning solvent or oil, or any other foreign

material inside the bore, chamber. If the barrel is blocked or otherwise obstructed, even partially, this may cause bulging and/or a breech explosion and/or a split barrel. If you feel a strange recoil or the report sounds unusually loud or soft STOP SHOOTING IMMEDIATELY and check the barrel for obstructions and bulges.

NEVER try to clear an obstruction in your barrel by firing another ammo!

ANY PARTIAL OR COMPLETE BARREL OBSTRUCTION can cause serious injury or death to the shooter or bystanders.

## SERIAL NUMBER

The serial number is engraved on the pistol on several places. Every pistol has a unique number. This number is used for legal and warranty matters. Derya suggests that owners note and store the serial numbers of all of your pistols in a secure location away from the pistols.

## STATE-BY-STATE WARNINGS



### CALIFORNIA STATE WARNING

*CHILDREN ARE ATTRACTED TO AND CAN OPERATE FIREARMS THAT CAN CAUSE SEVERE INJURIES OR DEATH. PREVENT CHILD ACCESS BY ALWAYS KEEPING FIREARMS LOCKED AWAY AND UNLOADED WHEN NOT IN USE. IF YOU KEEP A LOADED FIREARM WHERE A CHILD OBTAINS AND IMPROPERLY USES IT, YOU MAY BE FINED OR SENT TO PRISON. IT IS UNLAWFUL TO USE A MAGAZINE WITH A CAPACITY OVER 10 ROUNDS.*



### MASSACHUSETTS STATE WARNING

*IT IS UNLAWFUL TO CARRY ANY MAGAZINE OR BELT WHICH HOLDS MORE THAN TEN ROUNDS, UNLESS AUTHORITY IS GRANTED BY THE BOSTON POLICE COMMISSIONER. IT IS UNLAWFUL TO STORE OR KEEP A FIREARM, RIFLE, SHOTGUN OR MACHINE GUN IN ANY PLACE UNLESS THAT WEAPON IS EQUIPPED WITH A TAMPER RESISTANT SAFETY DEVICE OR IS STORED OR KEPT IN A SECURELY LOCKED CONTAINER.*



### NEW YORK STATE WARNING

*IT IS UNLAWFUL TO CARRY ANY MAGAZINE OR BELT WHICH HOLDS MORE THAN SEVEN ROUNDS, UNLESS AUTHORITY IS GRANTED BY THE STATE OF NEW YORK. THE USE OF A LOCKING DEVICE OR SAFETY LOCK IS ONLY ONE ASPECT OF RESPONSIBLE FIREARMS STORAGE FOR INCREASED SAFETY; FIREARMS SHOULD BE STORED UNLOADED AND LOCKED IN A LOCATION THAT IS BOTH SEPARATED FROM THEIR AMMUNITION AND INACCESSIBLE TO CHILDREN AND OTHER UNAUTHORIZED PERSONS.*

## SAFETY PRECAUTIONS

CHILDREN ARE ATTRACTED TO FIREARMS, AND MIGHT BE ABLE TO OPERATE THEM, THEY CAN CAUSE SEVERE INJURIES AND EVEN DEATH, TO THEMSELVES OR OTHERS. PREVENT CHILDREN FROM ACCESS, ALWAYS KEEP YOUR FIREARMS LOCKED AWAY, UNLOADED AND OUT OF REACH OF CHILDREN WHEN NOT IN USE AT ANY TIME.

THE FIREARM SHOULD BE STORED IN ROOMS WITH A DRY ATMOSPHERE AND MINIMUM HUMIDITY. IT SHOULD NOT BE STORED ENCASED IN LEATHER OR ANYTHING THAT WILL ATTRACT AND HOLD MOISTURE, CAUSING IT TO RUST.

DO ALL PROCEDURES (DISASSEMBLY, CLEANING AND OTHER MAINTENANCE) ONLY WHEN THE FIREARM IS UNLOADED. BE SURE THAT THE MAGAZINE AND CHAMBER ARE EMPTY WHILE YOU ARE PROCEEDING. CHECK EJECTION PORT, LOADING PORT AND CHAMBER VISUALLY.

WHEN STORING THE GUN FOR A PROLONGED PERIOD OF TIME, IT IS NECESSARY TO OIL IT HEAVILY WITH AN ACID-FREE LUBRICANT. THE EXTERNAL PARTS MUST BE COATED WITH AN ANTI-RUST OIL OR GREASE TO PREVENT MOISTURE CAUSING THE PARTS TO RUST AND MALFUNCTION. BEFORE USAGE, THE PISTOL MUST BE CLEANED AND WIPED DRY AGAIN.

## SAFETY PRECAUTIONS

Safety must be the first and constant consideration of every person who handles pistols and ammunition. Improper handling of pistols can cause serious injury and death. Always think of it as a dangerous weapon and it is your responsibility to handle guns safely. Accidents happen when you violate the basic rules of safe gun handling. As such, it is very important to read and follow these safety instructions:

1. Even if there are safety features incorporated in your pistol, do not rely on these mechanical features alone.
2. Seek a doctor's advice if you are taking any medications to ensure that you can shoot and handle pistols safely. Do not drink any alcoholic beverages nor take drugs before and during shooting. This could seriously impair your vision and judgment making your pistol handling unsafe and dangerous.
3. Beware of any obstructions in a barrel. When a weak or peculiar sound is heard, cease firing and inspect the barrel for any obstructions.
4. Keep the pistol pointed at the target for at least 30 seconds when a misfire happened. A hangfire or delayed firing may occur.
5. When possible, wear shooting glasses and ear muffs/protection when firing. This is to protect your eyes from spent cartridges and loud noise during firing.
6. Pistols should be handled with proper care. Improper and careless handling could cause accidental discharge which could result in death, serious personal injury, and/ or property damage.
7. Always make sure that the DY9 pistol is unloaded by having the slide locked open in the rearward position. Also, always take out the magazine before handing it over to another person.
8. Never carry your DY9 pistol out of the holster with a loaded cartridge in its chamber. This could result in an accidental discharge.

9. Always store your pistol unloaded and locked in an appropriate container, such as the included pistol case. Make sure it is out of reach and sight of children or any other unauthorized person.
10. Do not store or transport ammunition in the same container as your DY9 pistol.
11. In any case that the designed DY9 pistol's safety features proved to be ineffective for any reason, the risk of an unintentional discharge is high. Immediately unload your DY9 pistol, do not use it, and have it examined by the authorized personnel of the manufacturer.
12. With any loaded gun which does not have a separate manual safety, such as double action revolvers and many modern striker fired pistols, always remember that any sufficient pull of the trigger, whether by finger or foreign object, can cause it to fire. So, it is particularly important to guard against inadvertent trigger pull at all times until you are actually ready to fire. The presence of a separate manual safety does not necessarily make a gun safe, and the absence of it does not necessarily make a gun unsafe, as no mechanical device on any gun can be relied upon, or is even intended, to serve as a substitute for common sense in safe gun handling.

## FOUR BASIC RULES OF GUN SAFETY

1. Never point the gun at anyone or anything you don't intend to shoot. Always be aware of what is in the front and the back of your target.
2. Always keep your finger out of the trigger guard until you are ready to fire.
3. Always keep your gun pointed in a safe direction.
4. Treat every pistol as if it were loaded. Always check for yourself to make sure that the pistol is unloaded.

## TECHNICAL SPECIFICATIONS



Model	<b>MELIK</b>
Caliber	9x19mm
Action	Semi Automatic
Capacity*	17 Rounds
Affective Range	100 m / 320 ft
Barrel Length*	124mm / 4.9"
Overall Length*	214mm / 8.4"
Overall Width	35mm / 1.4"
Overall Height	138mm / 5.46"
Weight, Empty	950gr / 2.09lb.
Trigger Pull	2100gr / 4.62lb. - 2400gr / 5.29lb.
Front & Rear Sight	Fixed
Length of Pull	85.47mm / 1.16"
Rifling Twist	1/10"
No. Of Groves	6
Slide	4140 Steel
Finish	Aluminum parts hard anodized and steel parts Melonite

\*Varies by state and country.

## LOADING THE FIREARM

1) Press the magazine release button to remove the magazine from the pistol.

2) Press down on the follower with the thumb of one hand, and then feed the round into the magazine, tuck each round under the feed lips and then move on.



3) Insert the fully loaded magazine into the pistol grip and ensure it is properly engaged.

4) Grasp the slide serrations with your thumb and index finger, fully retract and release the slide to load the chamber.



## SAFETY

A) The trigger safety prevents movement caused by impacts when the firearm is dropped and also prevents accidental movement due to side pressure, obstructions in the trigger guard, or improper finger placement.

B) To fire your pistol, place your index finger properly.





## DISASSEMBLY OF THE FIREARM

- 1) a) Remove the magazine by pressing magazine release button.  
b) Grip the pistol with your right hand and use your left forefinger to press the disassembling latch release button. Rotate the disassembling latch clockwise using your left thumb until it reaches its stopping point.
- 2) Pull the slide barrel assembly forward with a locking block, recoil spring, and recoil guide.



- 3) Slightly press the recoil spring and recoil guide.
- 4) Lift the recoil guide and recoil spring, letting the latter stretch slowly.



- 5) Press the locking block plunger.

- 6) Take out the barrel locking assembly from the slide. (No further disassembly is recommended unless done by a competent gunsmith.)



## BASIC PARTS



P.NO	PART NAME
1	Frame
2	Trigger
3	Trigger Spring
4	Trigger Pin
5	Slide Release Lever
6	Slide Release Lever Spring
7	Disconnecter
8	Disconnecter Spring
9	Disconnecter Pin
10	Hammer
11	Hammer Pusher
12	Hammer Spring Guide
13	Hammer Spring
14	Hammer Spring Cap
15	Hammer Spring Cap Pin
16	Ejector
17	Ejector Pin
18	Disconnecter Action Part
19	Firing Pin Safety
20	Hammer Pin
21	Trigger Slide
22	Trigger Slide Spring
23	Magazine Release Lock Left
24	Magazine Release Lock Spring
25	Magazine Release Lock Right

P.NO	PART NAME
26	Magazine Release Button
27	Slide Lock Spring
28	Slide Lock Button
29	Disassembly Latch
30	Slide
31	Firing Pin Spring
32	Firing Pin
33	Firing Pin Safety
34	Firing Pin Safety Spring
35	Firing Pin Safety Pin
36	Extractor Spring
37	Extractor
38	Extractor Pin
39	Safety Spring
40	Safety Pin
41	Firing Pin Retainer Pin
42	Safety Plunger Spring
43	Safety Plunger Pin
44	Safety
45	Safety Lever
46	Safety Lever Pin
47	Barrel
48	Locking Block
49	Locking Block Plunger
50	Locking Block Plunger Pin

P.NO	PART NAME
51	Recoil Spring
52	Recoil Guide
53	Grip Right Polymer
54	Grip Connection Screw
55	Grip Left
56	Grip Connection Screw
57	Rear Sight

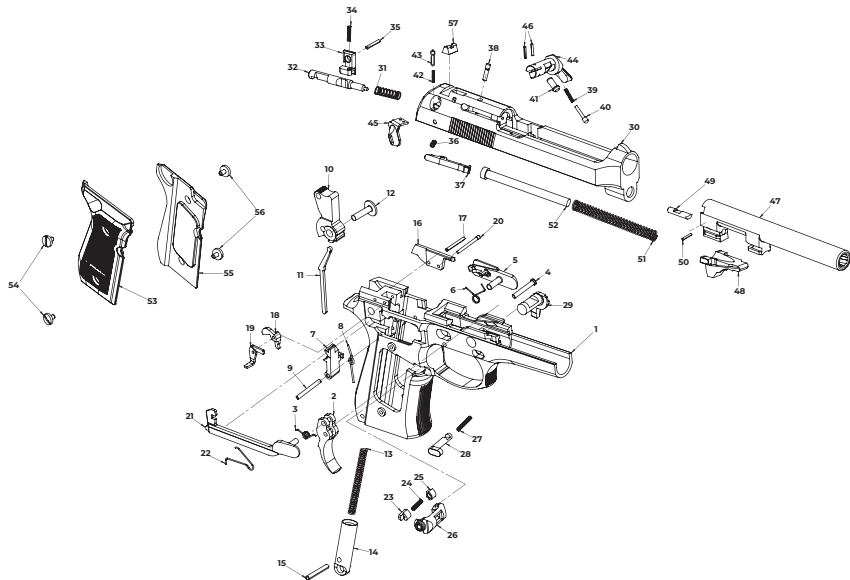
**Note:**

Some models will vary from exploded view.  
Varies by state and country.

There may be some changes on the user manual. Please use that code to download the latest version of manual.



# EXPLODED VIEW



## KNOW YOUR FIREARM



## CLEANING THE FIREARM

To clean the pistol after firing, first dismount the slide and barrel assembly. Scrub the barrel bore and chamber with a bore brush dipped in a pistol cleaning solvent to remove firing residue and the foreign matter left inside.

Using an old toothbrush dipped in solvent, clean the areas around the slide's breech face to remove powder and primer residues. Other parts and areas to be cleaned are the frame and slide rails, firing pin, extractor claws, and other adjacent areas. After cleaning, wipe all surfaces with a clean dry cloth to remove all traces of the solvent and apply a light film of oil immediately thereafter.

To clean the pistol thoroughly, disassemble all parts to the extent described above, taking care not to ruin or lose any part. Clean and inspect all parts then dry and lubricate very lightly. Reassemble the pistol, dry the barrel chamber and bore, and check the pistol for proper function before loading live ammunition.

## STORAGE AND TRANSPORTATION

Store your pistol in very dry conditions with very low humidity. Avoid leather as this holds moisture. Oil-coated plastic bags are better. For the ammunition, store it in a cool, dry location.

If you are going to store your pistol for an indefinite period, apply a thicker film of oil with a lubricant that is acid-free. Moisture and humidity are factors that cause rust and corrosion. Before use, make sure that your pistol is cleaned and wiped dry.



### **CALIFORNIA STATE WARNING**

*CHILDREN ARE ATTRACTED TO AND CAN OPERATE FIREARMS THAT CAN CAUSE SEVERE INJURIES OR DEATH. PREVENT THE ACCESS OF THE CHILD OR UNAUTHORIZED PERSON TO YOUR FIREARM BY KEEPING IT UNLOADED AND LOCKED AWAY.*



### **MASSACHUSETTS STATE WARNING**

*A LOADED FIREARM WHERE A CHILD IMPROPERLY USES IT MAY HAVE YOU FINED OR BE SENT TO PRISON.*

Visit our website to browse, learn more about and purchase parts for all of your Derya products.



[www.derya.us](http://www.derya.us)



DERYA ARMS



DeryaArms



deryaarms



DeryaArms



Derya Arms



\_deryaofficial\_

## LIMITED LIFETIME WARRANTY

South Derya Corporation dba Derya warrants that the enclosed firearm was originally manufactured free of defects in material, workmanship and mechanical function. For the lifetime of the original owner, Derya agrees to correct at its own expense any defect in a Derya Firearm for the original purchaser by means of adjustment, repair or replacement, as appropriate in Derya's sole discretion.

### What and who is covered by this limited warranty?

This Limited Lifetime Warranty issued by South Derya Corporation dba Derya covers defects in material and workmanship for the original purchaser. This warranty is non-transferable and applies only to the original purchaser. The warranty includes repair, adjustment, or replacement of the firearm, at the manufacturer's discretion, with the same or comparable quality components, or replacement of the firearm itself.

### What is not covered by this limited warranty?

This warranty is void if the firearm is: Misused, damaged accidentally or otherwise, or fired with hand-loaded, reloaded, or improper ammunition, Fired with an obstruction in the barrel or damaged due to failure to follow maintenance instructions provided in the manual, Altered or repaired by unauthorized personnel, including any cosmetic modifications, accessory items attached to the firearm are not covered, Damage to decorative finishes or any aftermarket modifications is not covered, and normal wear and tear is not included under this warranty.

### What to do for warranty service?

To initiate a warranty claim, obtain a Return Merchandise Authorization (RMA) by contacting customer service by phone at 904-420-2923 or by visiting [www.derya.us](http://www.derya.us). Return the unloaded firearm, freight prepaid, to the address provided by customer service. Derya will provide free of charge a repaired, reconditioned, or new firearm (at Derya discretion).

### Disclaimer and Limitation on Liability:

This Limited Warranty supersedes any and all express warranties. Implied warranties, including those of merchantability, non-infringement, and fitness for a particular purpose, are limited to the duration of this warranty period (the original purchaser's ownership of the product). No express or implied warranties will extend beyond this period.

Certain states do not permit limitations on the duration of implied warranties, so these limitations may not apply to you. Derya's responsibility for any product malfunctions or defects is strictly limited to the terms outlined in this Limited Warranty. This Limited Warranty represents Derya's sole obligation and your exclusive remedy. Under no circumstances will Derya be liable for incidental, special, or consequential damages, whether your claims arise from breach of contract, tort (including negligence and strict liability), or other legal theories. This includes, but is not limited to, any liability for economic loss, bodily injury, property damage, or any other damages resulting from the use or ownership of the product, whether foreseeable or not. Some states do not allow the exclusion or limitation of incidental or consequential damages, so these limitations may not apply to you.

No individual or entity is authorized to issue any additional warranty or assume any further obligations on behalf of Derya. If any part of this Limited Warranty is found to be prohibited or unenforceable in any jurisdiction, it will only affect that specific part, and the remainder of the warranty will remain valid and enforceable.

**Jurisdiction and Governing Law:** This Limited Warranty will be governed by and interpreted in accordance with the laws of the State of Florida, without regard to its conflict of law principles. Any disputes between the manufacturer and you, or your heirs, representatives, or assigns, must be filed in a court of competent jurisdiction within the 4th Judicial Circuit Court of the State of Florida. You agree to submit to the personal jurisdiction and venue of the Florida

ACTIVATE YOUR WARRANTY ONLINE AT: [www.derya.us](http://www.derya.us)



Receive a discount code for our store when you submit warrant activation. If proof of purchase is not submitted with warranty activation, you will be asked to submit with warranty request.

**International and Non-Commercial US:** This warranty applies to U.S. commercial customers only. This warranty does not apply for Non-Commercial US Customers such as Military and Police. Non-U.S. customers should contact their local dealer or distributor for warranty coverage.





**Derya, 1926 Spearing  
Street, Jacksonville,  
Florida 32206  
USA**



**+1-904-420-2923**



**[www.derya.us](http://www.derya.us)**

