



***DY12***

**USER MANUAL**

# “ THANK YOU FOR CHOOSING A DERYA PRODUCT ”

## THIS BOOKLET WILL GUIDE YOU THROUGH HANDLING YOUR FIREARM SAFELY



**PLEASE NOTE: CHANGES MAY BE MADE WITHOUT NOTICE**

Your shotgun features an innovative and unique design. With regular care and cleaning, your firearm will serve you for a life time. The firearm was manufactured by DERYA from high quality raw materials and with high-tech CNC machines in our factory.

Please read and understand all the directions and instructions in this Manual to guarantee the best performance and a safe shooting experience. Maintain your firearm properly in accordance with these instructions so it will remain safe, and performs properly.

Always remember that you are using a firearm; always follow all safety rules and be aware that it is your responsibility to share your knowledge, and educate others in the safe use of this firearm.

Before firing a cartridge, learn the parts of your firearm and understand how it operates. Please read this manual carefully and enjoy your firearm safely.

### MAINTENANCE INSTRUCTIONS:

#### 1) NEVER MAKE CHANGES OR ALTERATIONS TO YOUR SHOTGUN

This shotgun was built to a proven and tested design, and manufactured with care. It must NEVER be altered or changed. Changing or altering any part of your shotgun may result in serious injuries to you or others, and is NOT RECOMMENDED by the manufacturer. Any changes made to the shotgun or use of non-factory parts voids the factory warranty.

#### 2) PROPER CARE AND STORAGE

Regular care and cleaning of your firearm is key to its proper functionality and reliability. ALWAYS make sure that the firearm is UNLOADED before you leave the range and check it again before you start the cleaning process.

### THE RESPONSIBILITIES OF THE USER

The laws of your country give you the right to possess a hunting firearm. Appreciate and enjoy your rights with care. Be aware that, as an owner of a firearm, you are responsible for ensuring your own safety and that of your shooting partners, observers, and the environment.

## DISCLAIMER

This shotgun is classified as a firearm or dangerous weapon. It is expressly understood that we assume no liability for its resale or unsafe handling under local laws and regulations. Derya assumes no responsibility for physical injury or property damage resulting from either intentional or accidental discharge, or for the function of the firearm subjected to influence beyond their control. Derya will honor no claims which may result from careless handling, unauthorized adjustments, defective or improper ammunition, corrosion or neglect. Examine your firearm carefully at the time of purchase. It should be forwarded immediately to the factory or its sales agent if any adjustment of any kind is required.



### **DERYA DOES NOT ACCEPT ANY RESPONSIBILITIES FOR DAMAGE DUE TO THE FOLLOWING CAUSES**

- 1) INCORRECT OR IRRESPONSIBLE USE OF THE FIREARM
- 2) USE OF INCORRECT GAUGE AMMUNITION OR RELOADED, DAMAGED OR IMPROPER CARTRIDGES
- 3) INSUFFICIENT AND/OR INCORRECT MAINTENANCE OR CLEANING WHICH CAUSES TO DAMAGE OR WEAR
- 4) SALE CONTRARY TO APPLICABLE LAWS AND REGULATIONS
- 5) CHANGING OR CONVERSION OF THE FIREARM'S ORIGINAL DESIGN, OPERATING MECHANISM, BARREL, GAS HOLES, MAIN SPRING, ACCESSORIES, MAGAZINES OR MECHANICALS
- 6) CARELESS, DANGEROUS OR CRIMINAL USE
- 7) USING THE FIREARM WITHOUT FIRST READING, UNDERSTANDING AND FOLLOWING ALL SAFETY RULES
- 8) ANY OTHER USE OR ACTION THAT IS BEYOND THE DIRECT CONTROL OF THE MANUFACTURER
- 9) WEAR PROTECTIVE SHOOTING GLASSES, ADEQUATE EAR PROTECTION AND GLOVES WHEN SHOOTING

## IMPORTANT WARNING

- 1) Read the instructions booklet completely before using your firearm.
- 2) Always be aware of the handling and functional characteristics of your firearms.
- 3) Always unload your firearm when not in use (remove all cartridges).

When stored or not in use, firearms should always be unloaded and move the safety lever to the WHITE position to block the trigger of your firearm.

Always remove all cartridges and inspect the chamber to ensure your firearm is unloaded.

- 1) After shooting.
- 2) Before racking or after picking up the firearm.
- 3) Before putting the gun into its case.
- 4) Any time you are not using your firearm.
- 5) Before handing your gun to anyone else.
- 4) ALWAYS KEEP YOUR FIREARM POINTED IN A SAFE DIRECTION. This ensures you do not injure yourself or anyone else.
- 5) ALWAYS STORE YOUR FIREARM OUT OF REACH OF CHILDREN OR OTHER UNAUTHORIZED PEOPLE.

There are many ways of keeping your firearms locked and stored safely and securely. Always secure your firearm in accordance with applicable laws in your area and always unload and then lock the firearm when not in use or whenever it will be unattended.

**6) ALWAYS OBEY ALL LAWS REGARDING OWNERSHIP, TRANSPORT, AND SHOOTING YOUR FIREARM.** Never point your firearm at a person. Do not harm any person or damage any public property.

**7) IF YOUR FIREARM DOES NOT FIRE AFTER PULLING THE TRIGGER: STOP, WAIT A MINUTE, AND USE EXTRA CAUTION WHEN OPENING THE BOLT.** If your firearm did not fire after pulling the trigger STOP! Keep the firearm pointed in a safe direction, apply the safety by moving the safety lever to the white position. Wait 60 seconds. Carefully open the bolt by pulling the cocking handle and eject the shell in a safe direction. Always remember when you experience a misfire, your firearm is still loaded and could fire at any time (a “hang fire”).

**8) ALWAYS TREAT YOUR FIREARM AS IF IT IS LOADED, EVEN WHEN THE SAFETY IS ON.** Always keep your finger away from the trigger unless you are on target and prepared to shoot. Never forget that even with safety ON, you are responsible for the direction your firearm is pointing. Do not count on a mechanical device.

**9) This firearm was produced under the control and supervision of Derya. The firearm must never be altered.** Derya does not recommended the use of any spare parts or accessories and magazines other than those included in the original box or received from Derya. If you need magazines, spare parts or repair, contact our authorized distributor in your country or Derya ONLY.

**10) ENSURE THE BARREL IS NOT PLUGGED OR OBSTRUCTED BEFORE YOU LOAD YOUR GUN.** The barrel should not have any residue from bore cleaning solvent or oil, or any other foreign material inside the bore, chamber or choke. If the barrel is blocked or otherwise obstructed, even partially, this may cause bulging and/or a breech explosion and/or a split barrel. If you feel a strange recoil or the report sounds unusually loud or soft STOP SHOOTING IMMEDIATELY and check the barrel for obstructions and bulges.

NEVER try to clear an obstruction in your barrel by firing another shell!

ANY PARTIAL OR COMPLETE BORE OBSTRUCTION can cause serious injury or death to the shooter or bystanders.

## SEL NUMBER

The serial number is engraved on the firearm on several places. Every firearm has a unique number. This number is used for legal and warranty matters. Derya suggests that owners note and store the serial numbers of all of your firearms in a secure location away from the firearms.

## STATE-BY-STATE WARNINGS



### CALIFORNIA STATE WARNING

*CHILDREN ARE ATTRACTED TO AND CAN OPERATE FIREARMS THAT CAN CAUSE SEVERE INJURIES OR DEATH. PREVENT CHILD ACCESS BY ALWAYS KEEPING FIREARMS LOCKED AWAY AND UNLOADED WHEN NOT IN USE. IF YOU KEEP A LOADED FIREARM WHERE A CHILD OBTAINS AND IMPROPERLY USES IT, YOU MAY BE FINED OR SENT TO PRISON. IT IS UNLAWFUL TO USE A MAGAZINE WITH A CAPACITY OVER 10 ROUNDS.*



### MASSACHUSETTS STATE WARNING

*IT IS UNLAWFUL TO CARRY ANY MAGAZINE OR BELT WHICH HOLDS MORE THAN TEN ROUNDS, UNLESS AUTHORITY IS GRANTED BY THE BOSTON POLICE COMMISSIONER. IT IS UNLAWFUL TO STORE OR KEEP A FIREARM, RIFLE, SHOTGUN OR MACHINE GUN IN ANY PLACE UNLESS THAT WEAPON IS EQUIPPED WITH A TAMPER RESISTANT SAFETY DEVICE OR IS STORED OR KEPT IN A SECURELY LOCKED CONTAINER.*



### NEW YORK STATE WARNING

*IT IS UNLAWFUL TO CARRY ANY MAGAZINE OR BELT WHICH HOLDS MORE THAN SEVEN ROUNDS, UNLESS AUTHORITY IS GRANTED BY THE STATE OF NEW YORK. THE USE OF A LOCKING DEVICE OR SAFETY LOCK IS ONLY ONE ASPECT OF RESPONSIBLE FIREARMS STORAGE FOR INCREASED SAFETY; FIREARMS SHOULD BE STORED UNLOADED AND LOCKED IN A LOCATION THAT IS BOTH SEPARATED FROM THEIR AMMUNITION AND INACCESSIBLE TO CHILDREN AND OTHER UNAUTHORIZED PERSONS.*

## SAFETY PRECAUTIONS

CHILDREN ARE ATTRACTED TO FIREARMS, AND MIGHT BE ABLE TO OPERATE THEM, THEY CAN CAUSE SEVERE INJURIES AND EVEN DEATH, TO THEMSELVES OR OTHERS. PREVENT CHILDREN FROM ACCESS, ALWAYS KEEP YOUR FIREARMS LOCKED AWAY, UNLOADED AND OUT OF REACH OF CHILDREN WHEN NOT IN USE AT ANY TIME.

THE FIREARM SHOULD BE STORED IN ROOMS WITH A DRY ATMOSPHERE AND MINIMUM HUMIDITY. IT SHOULD NOT BE STORED ENCASED IN LEATHER OR ANYTHING THAT WILL ATTRACT AND HOLD MOISTURE, CAUSING IT TO RUST.

DO ALL PROCEDURES (DISASSEMBLY, CLEANING AND OTHER MAINTENANCE) ONLY WHEN THE FIREARM IS UNLOADED. BE SURE THAT THE MAGAZINE TUBE, RECEIVER AND CHAMBER ARE EMPTY WHILE YOU ARE PROCEEDING. CHECK EJECTION PORT, LOADING PORT AND CHAMBER VISUALLY.

ALL PRODUCTS HAVE 3" (76MM) CHAMBERS (EXCEPT OTHERWISE STATED). YOU CAN SEE MARKS ABOUT GAUGES AND CHAMBER LENGTH ON THE GUN. EVERY SHOTGUN HAS PASSED DURABILITY TEST WITH SPECIAL HIGH PRESSURE CARTRIDGES.

WHEN STORING THE GUN FOR A PROLONGED PERIOD OF TIME, IT IS NECESSARY TO OIL IT HEAVILY WITH AN ACID-FREE LUBRICANT. THE EXTERNAL PARTS MUST BE COATED WITH AN ANTI-RUST OIL OR GREASE TO PREVENT MOISTURE CAUSING THE PARTS TO RUST AND MALFUNCTION. BEFORE USAGE, THE SHOTGUN MUST BE CLEANED AND WIPED DRY AGAIN.

## DY12 DISASSEMBLY OF THE FIREARM

- 1) Remove the magazine.
- 2) Unscrew the barrel shroud by turning in arrow direction.
- 3) Pull the foreend in arrow direction.



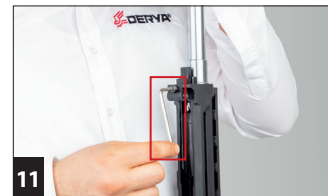
- 4) Push the detaching pin and pull from the other side until it sets.
- 5) Push the other detaching pin and pull from the other side until it sets.
- 6) Detach upper from lower.



- 7) Unscrew the gas system retaining nut by turning in arrow direction.
- 8) Remove the split rings. At this stage you can change the pistons.
- 9) Remove the piston, slide and gas block by pulling in arrow direction.



- 10) Remove the charging handle by pulling it.
- 11) Remove both barrel screws with an allen wrench one at a time.
- 12) Pull out the bolt assembly in arrow direction.



## DY12 DAXOS® & BUFFERBOLT® SYSTEM

1) Pull the charging handle.



2) Insert the charging handle from the other side.



3) Make sure the handle is set.



**BufferBolt® System**



## USAGE OF CHOKE TUBES

Never fire or gun cleaning tools through a barrel that uses choke tubes without having tube installed. The threads of the choke tube and the internal threads of the barrel should be cleaned after each use and before installation of the tube.

To install a tube, insert the tube into the barrel and tighten with your fingers. Once the tube is finger-tightened, tighten with the appropriate choke-tube wrench until the tube is snug. **DO NOT** over tighten or forcefully tighten with wrench.

**Choke Tube Wrench**



| MARKING | USAGE OF CHOKE TUBES |                                               | NOTCHES |
|---------|----------------------|-----------------------------------------------|---------|
| *       | <b>FULL</b>          | Suitable for longer ranges (DON'T USE SLUGS!) | ○       |
| ***     | <b>MODIFIED</b>      | Suitable for medium ranges (DON'T USE SLUGS!) | ○       |
| *****   | <b>CYLINDER</b>      | Suitable for short ranges                     | ○       |

## DY12 BASIC PARTS



| PNO | PART NAME                 |
|-----|---------------------------|
| 1   | Lower Receiver            |
| 2   | Magazine Catch            |
| 3   | Magazine Catch Spring     |
| 4   | Magazine Catch Button     |
| 5   | Magazine Catch Screw      |
| 6   | M6 Screw                  |
| 7   | Trigger                   |
| 8   | Disconnecter Spring       |
| 9   | Disconnecter              |
| 10  | Trigger Spring            |
| 11  | Trigger Pin               |
| 12  | Crescent washer           |
| 13  | Safety                    |
| 14  | Safety Lever Right        |
| 15  | Safety Retaining Screw    |
| 16  | Safety Lever Left         |
| 17  | Safety Retaining Screw    |
| 18  | Safety Detent             |
| 19  | Safety Spring             |
| 20  | M4 Screw                  |
| 21  | Hammer                    |
| 22  | Hammer Pin Sleeve, Male   |
| 23  | Hammer Pin Sleeve, Female |
| 24  | Hammer Spring             |
| 25  | Hammer Pin                |
| 26  | Crescent washer           |
| 27  | Bolt Catch Spring         |
| 28  | Bolt Catch                |
| 29  | Bolt Catch Pin            |
| 30  | Rear Takedown Pin         |
| 31  | Extractor Spring Pin      |
| 32  | Extractor Spring          |
| 33  | M4 Screw                  |

| PNO | PART NAME                  |
|-----|----------------------------|
| 34  | Extractor Spring           |
| 35  | Extractor Spring Pin       |
| 36  | Front Takedown Pin         |
| 37  | Upper Receiver             |
| 38  | Pin                        |
| 39  | Slide Carrier              |
| 40  | Ball Spring                |
| 41  | 5 Ø ball                   |
| 42  | Bolt                       |
| 43  | Lock                       |
| 44  | Firing Pin Return Spring   |
| 45  | Firing Pin                 |
| 46  | Firing Pin Retaining Pin   |
| 47  | Buffer Bolt System         |
| 48  | Extractor Spring           |
| 49  | Extractor Spring Pin       |
| 50  | Extractor                  |
| 51  | Extractor Spring Pin       |
| 52  | Cocking Handle             |
| 53  | Barrel                     |
| 54  | Ejector                    |
| 55  | Ejector Spring             |
| 56  | Ejector Screw              |
| 57  | Barrel Retaining Nut       |
| 58  | Barrel Retaining Screw     |
| 59  | Detent Ball                |
| 60  | Sling Plate                |
| 61  | Pivot Nut                  |
| 62  | Bolt Return Spring         |
| 63  | Bolt Buffer                |
| 64  | Mil Spec Buffer Tube       |
| 65  | Slide with Slide Extension |
| 66  | Light Piston               |

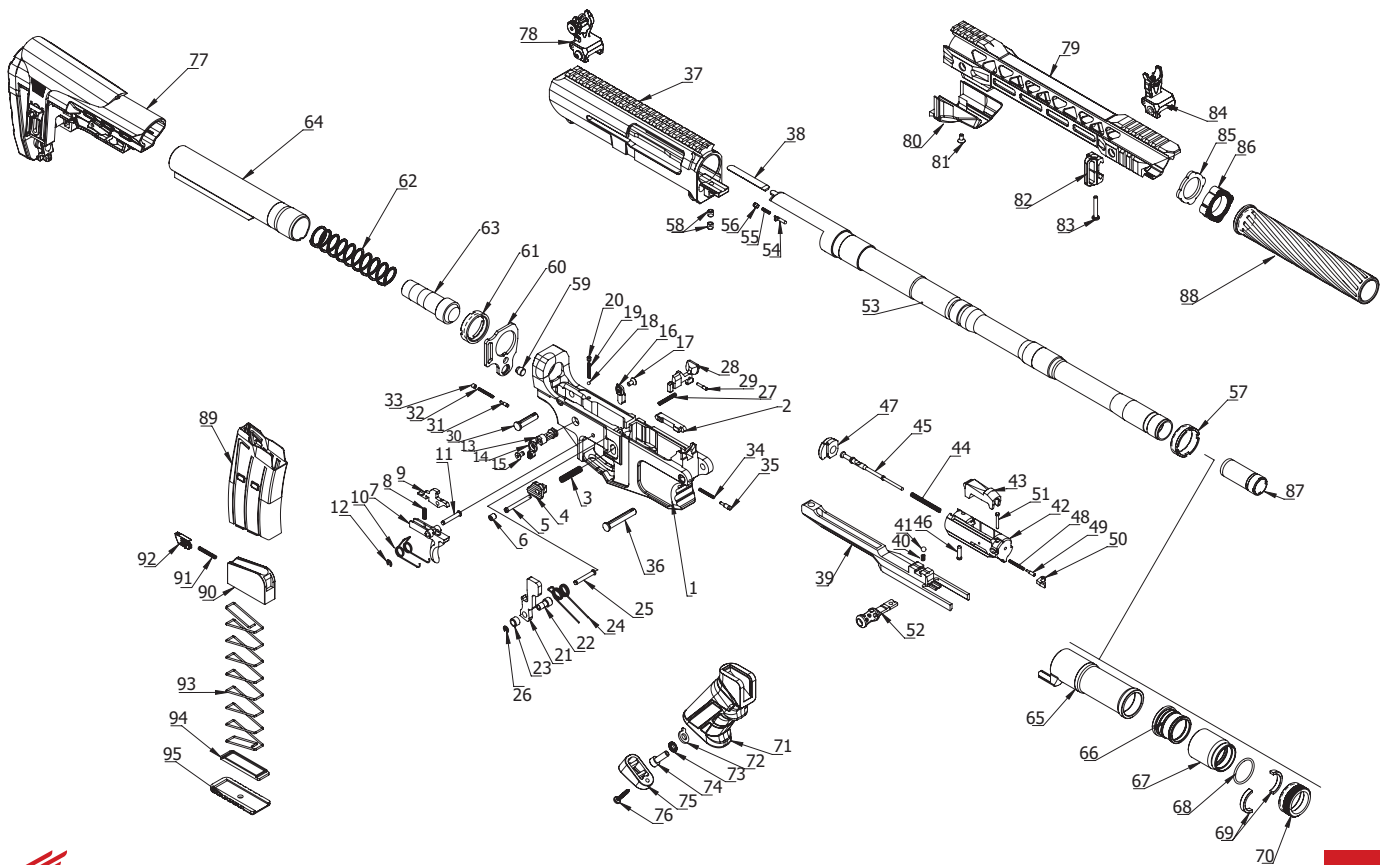
| PNO | PART NAME                          |
|-----|------------------------------------|
| 67  | Gas Block                          |
| 68  | Gas Block O-Ring                   |
| 69  | Gas Block screw                    |
| 70  | Gas System Retaining Nut           |
| 71  | Grip                               |
| 72  | Custom Washer                      |
| 73  | Serrated Washer                    |
| 74  | M6 Grip Connection Screw           |
| 75  | Grip Cap                           |
| 76  | Grip Cap Screw                     |
| 77  | Stock                              |
| 78  | Rear Flip Up Sight                 |
| 79  | Forend                             |
| 80  | Handguard                          |
| 81  | Handguard Retaining Screw          |
| 82  | Sling Swivel                       |
| 83  | Sling Swivel Screw                 |
| 84  | Front Flip Up Sight                |
| 85  | Handguard Pivot Nut                |
| 86  | Handguard Pivot Polymer Nut        |
| 87  | Mobile Choke                       |
| 88  | Barrel Shroud                      |
| 89  | 5rd Magazine                       |
| 90  | Magazine Follower 5rd              |
| 91  | Magazine Follower Extractor Spring |
| 92  | Magazine Follower Extractor        |
| 93  | Magazine Spring                    |
| 94  | Magazine Base Plate Retainer       |
| 95  | Magazine Base Plate                |

**Note:**

Some models will vary from exploded view.  
Varies by state and country.



# DY12 MAG FED SHOTGUN



Visit our website to browse, learn more about and purchase parts for all of your Derya products.



[www.derya.us](http://www.derya.us)



DERYA ARMS



DeryaArms



deryaarms



DeryaArms



Derya Arms



\_deryaofficial\_

## LIMITED LIFETIME WARRANTY

South Derya Corporation dba Derya warrants that the enclosed firearm was originally manufactured free of defects in material, workmanship and mechanical function. For the lifetime of the original owner, Derya agrees to correct at its own expense any defect in a Derya Firearm for the original purchaser by means of adjustment, repair or replacement, as appropriate in Derya's sole discretion.

### What and who is covered by this limited warranty?

This Limited Lifetime Warranty issued by South Derya Corporation dba Derya covers defects in material and workmanship for the original purchaser. This warranty is non-transferable and applies only to the original purchaser. The warranty includes repair, adjustment, or replacement of the firearm, at the manufacturer's discretion, with the same or comparable quality components, or replacement of the firearm itself.

### What is not covered by this limited warranty?

This warranty is void if the firearm is: Misused, damaged accidentally or otherwise, or fired with hand-loaded, reloaded, or improper ammunition, Fired with an obstruction in the barrel or damaged due to failure to follow maintenance instructions provided in the manual, Altered or repaired by unauthorized personnel, including any cosmetic modifications, accessory items attached to the firearm are not covered, Damage to decorative finishes or any aftermarket modifications is not covered, and normal wear and tear is not included under this warranty.

### What to do for warranty service?

To initiate a warranty claim, obtain a Return Merchandise Authorization (RMA) by contacting customer service by phone at 904-420-2923 or by visiting [www.derya.us](http://www.derya.us). Return the unloaded firearm, freight prepaid, to the address provided by customer service. Derya will provide free of charge a repaired, reconditioned, or new firearm (at Derya discretion).

### Disclaimer and Limitation on Liability:

This Limited Warranty supersedes any and all express warranties. Implied warranties, including those of merchantability, non-infringement, and fitness for a particular purpose, are limited to the duration of this warranty period (the original purchaser's ownership of the product). No express or implied warranties will extend beyond this period.

Certain states do not permit limitations on the duration of implied warranties, so these limitations may not apply to you. Derya's responsibility for any product malfunctions or defects is strictly limited to the terms outlined in this Limited Warranty. This Limited Warranty represents Derya's sole obligation and your exclusive remedy. Under no circumstances will Derya be liable for incidental, special, or consequential damages, whether your claims arise from breach of contract, tort (including negligence and strict liability), or other legal theories. This includes, but is not limited to, any liability for economic loss, bodily injury, property damage, or any other damages resulting from the use or ownership of the product, whether foreseeable or not. Some states do not allow the exclusion or limitation of incidental or consequential damages, so these limitations may not apply to you.

No individual or entity is authorized to issue any additional warranty or assume any further obligations on behalf of Derya. If any part of this Limited Warranty is found to be prohibited or unenforceable in any jurisdiction, it will only affect that specific part, and the remainder of the warranty will remain valid and enforceable.

**Jurisdiction and Governing Law:** This Limited Warranty will be governed by and interpreted in accordance with the laws of the State of Florida, without regard to its conflict of law principles. Any disputes between the manufacturer and you, or your heirs, representatives, or assigns, must be filed in a court of competent jurisdiction within the 4th Judicial Circuit Court of the State of Florida. You agree to submit to the personal jurisdiction and venue of the Florida

ACTIVATE YOUR WARRANTY ONLINE AT: [www.derya.us](http://www.derya.us)



Receive a discount code for our store when you submit warrant activation. If proof of purchase is not submitted with warranty activation, you will be asked to submit with warranty request.

**International and Non-Commercial US:** This warranty applies to U.S. commercial customers only. This warranty does not apply for Non-Commercial US Customers such as Military and Police. Non-U.S. customers should contact their local dealer or distributor for warranty coverage.



**Derya, Jacksonville,  
Florida 32206  
USA**



**+1-904-420-2923**



**[www.derya.us](http://www.derya.us)**

