



DY12Y
USER MANUAL

“ THANK YOU FOR CHOOSING A DERYA ARMS PRODUCT ”

THIS BOOKLET WILL GUIDE YOU THROUGH HANDLING YOUR FIREARM SAFELY



PLEASE NOTE: CHANGES MAY BE MADE WITHOUT NOTICE

Your shotgun features an innovative and unique design. With regular care and cleaning, your firearm will serve you for a life time. The firearm was manufactured by DERYA ARMS from high quality raw materials and with high-tech CNC machines in our factory.

Please read and understand all the directions and instructions in this Manual to guarantee the best performance and a safe shooting experience. Maintain your firearm properly in accordance with these instructions so it will remain safe, and performs properly.

Always remember that you are using a firearm; always follow all safety rules and be aware that it is your responsibility to share your knowledge, and educate others in the safe use of this firearm.

Before firing a cartridge, learn the parts of your firearm and understand how it operates. Please read this manual carefully and enjoy your firearm safely.

MAINTENANCE INSTRUCTIONS:

1) NEVER MAKE CHANGES OR ALTERATIONS TO YOUR SHOTGUN

This shotgun was built to a proven and tested design, and manufactured with care. It must NEVER be altered or changed. Changing or altering any part of your shotgun may result in serious injuries to you or others, and is NOT RECOMMENDED by the manufacturer. Any changes made to the shotgun or use of non-factory parts voids the factory warranty.

2) PROPER CARE AND STORAGE

Regular care and cleaning of your firearm is key to its proper functionality and reliability. ALWAYS make sure that the firearm is UNLOADED before you leave the range and check it again before you start the cleaning process.

THE RESPONSIBILITIES OF THE USER

The laws of your country give you the right to possess a hunting firearm. Appreciate and enjoy your rights with care. Be aware that, as an owner of a firearm, you are responsible for ensuring your own safety and that of your shooting partners, observers, and the environment.

DISCLAIMER

This shotgun is classified as a firearm or dangerous weapon. It is expressly understood that we assume no liability for its resale or unsafe handling under local laws and regulations. Derya assumes no responsibility for physical injury or property damage resulting from either intentional or accidental discharge, or for the function of the firearm subjected to influence beyond their control. Derya will honor no claims which may result from careless handling, unauthorized adjustments, defective or improper ammunition, corrosion or neglect. Examine your firearm carefully at the time of purchase. It should be forwarded immediately to the factory or its sales agent if any adjustment of any kind is required.



DERYA ARMS DOES NOT ACCEPT ANY RESPONSIBILITIES FOR DAMAGE DUE TO THE FOLLOWING CAUSES

- 1) INCORRECT OR IRRESPONSIBLE USE OF THE FIREARM
- 2) USE OF INCORRECT GAUGE AMMUNITION OR RELOADED, DAMAGED OR IMPROPER CARTRIDGES
- 3) INSUFFICIENT AND/OR INCORRECT MAINTENANCE OR CLEANING WHICH CAUSES TO DAMAGE OR WEAR
- 4) SALE CONTRARY TO APPLICABLE LAWS AND REGULATIONS
- 5) CHANGING OR CONVERSION OF THE FIREARM'S ORIGINAL DESIGN, OPERATING MECHANISM, BARREL, GAS HOLES, MAIN SPRING, ACCESSORIES, MAGAZINES OR MECHANICALS
- 6) CARELESS, DANGEROUS OR CRIMINAL USE
- 7) USING THE FIREARM WITHOUT FIRST READING, UNDERSTANDING AND FOLLOWING ALL SAFETY RULES
- 8) ANY OTHER USE OR ACTION THAT IS BEYOND THE DIRECT CONTROL OF THE MANUFACTURER
- 9) WEAR PROTECTIVE SHOOTING GLASSES, ADEQUATE EAR PROTECTION AND GLOVES WHEN SHOOTING

IMPORTANT WARNING

- 1) Read the instructions booklet completely before using your firearm.
- 2) Always be aware of the handling and functional characteristics of your firearms.
- 3) Always unload your firearm when not in use (remove all cartridges).

When stored or not in use, firearms should always be unloaded and move the safety lever to the WHITE position to block the trigger of your firearm.

Always remove all cartridges and inspect the chamber to ensure your firearm is unloaded.

- 1) After shooting.
- 2) Before racking or after picking up the firearm.
- 3) Before putting the gun into its case.
- 4) Any time you are not using your firearm.
- 5) Before handing your gun to anyone else.
- 4) ALWAYS KEEP YOUR FIREARM POINTED IN A SAFE DIRECTION. This ensures you do not injure yourself or anyone else.
- 5) ALWAYS STORE YOUR FIREARM OUT OF REACH OF CHILDREN OR OTHER UNAUTHORIZED PEOPLE.

There are many ways of keeping your firearms locked and stored safely and securely. Always secure your firearm in accordance with applicable laws in your area and always unload and then lock the firearm when not in use or whenever it will be unattended.

6) ALWAYS OBEY ALL LAWS REGARDING OWNERSHIP, TRANSPORT, AND SHOOTING YOUR FIREARM. Never point your firearm at a person. Do not harm any person or damage any public property.

7) IF YOUR FIREARM DOES NOT FIRE AFTER PULLING THE TRIGGER: STOP, WAIT A MINUTE, AND USE EXTRA CAUTION WHEN OPENING THE BOLT. If your firearm did not fire after pulling the trigger STOP! Keep the firearm pointed in a safe direction, apply the safety by moving the safety lever to the white position. Wait 60 seconds. Carefully open the bolt by pulling the cocking handle and eject the shell in a safe direction. Always remember when you experience a misfire, your firearm is still loaded and could fire at any time (a "hang fire").

8) ALWAYS TREAT YOUR FIREARM AS IF IT IS LOADED, EVEN WHEN THE SAFETY IS ON. Always keep your finger away from the trigger unless you are on target and prepared to shoot. Never forget that even with safety ON, you are responsible for the direction your firearm is pointing. Do not count on a mechanical device.

9) This firearm was produced under the control and supervision of Derya Arms. The firearm must never be altered. Derya does not recommended the use of any spare parts or accessories and magazines other than those included in the original box or received from Derya. If you need magazines, spare parts or repair, contact our authorized distributor in your country or Derya Arms ONLY.

10) ENSURE THE BARREL IS NOT PLUGGED OR OBSTRUCTED BEFORE YOU LOAD YOUR GUN. The barrel should not have any residue from bore cleaning solvent or oil, or any other foreign material inside the bore, chamber or choke. If the barrel is blocked or otherwise obstructed, even partially, this may cause bulging and/or a breech explosion and/or a split barrel. If you feel a strange recoil or the report sounds unusually loud or soft STOP SHOOTING IMMEDIATELY and check the barrel for obstructions and bulges.

NEVER try to clear an obstruction in your barrel by firing another shell!

ANY PARTIAL OR COMPLETE BORE OBSTRUCTION can cause serious injury or death to the shooter or bystanders.

SERIAL NUMBER

The serial number is engraved on the firearm on several places. Every firearm has a unique number. This number is used for legal and warranty matters. Derya suggests that owners note and store the serial numbers of all of your firearms in a secure location away from the firearms.

STATE-BY-STATE WARNINGS



CALIFORNIA STATE WARNING

CHILDREN ARE ATTRACTED TO AND CAN OPERATE FIREARMS THAT CAN CAUSE SEVERE INJURIES OR DEATH. PREVENT CHILD ACCESS BY ALWAYS KEEPING FIREARMS LOCKED AWAY AND UNLOADED WHEN NOT IN USE. IF YOU KEEP A LOADED FIREARM WHERE A CHILD OBTAINS AND IMPROPERLY USES IT, YOU MAY BE FINED OR SENT TO PRISON. IT IS UNLAWFUL TO USE A MAGAZINE WITH A CAPACITY OVER 10 ROUNDS.



MASSACHUSETTS STATE WARNING

IT IS UNLAWFUL TO CARRY ANY MAGAZINE OR BELT WHICH HOLDS MORE THAN TEN ROUNDS, UNLESS AUTHORITY IS GRANTED BY THE BOSTON POLICE COMMISSIONER. IT IS UNLAWFUL TO STORE OR KEEP A FIREARM, RIFLE, SHOTGUN OR MACHINE GUN IN ANY PLACE UNLESS THAT WEAPON IS EQUIPPED WITH A TAMPER RESISTANT SAFETY DEVICE OR IS STORED OR KEPT IN A SECURELY LOCKED CONTAINER.



NEW YORK STATE WARNING

IT IS UNLAWFUL TO CARRY ANY MAGAZINE OR BELT WHICH HOLDS MORE THAN SEVEN ROUNDS, UNLESS AUTHORITY IS GRANTED BY THE STATE OF NEW YORK. THE USE OF A LOCKING DEVICE OR SAFETY LOCK IS ONLY ONE ASPECT OF RESPONSIBLE FIREARMS STORAGE FOR INCREASED SAFETY; FIREARMS SHOULD BE STORED UNLOADED AND LOCKED IN A LOCATION THAT IS BOTH SEPARATED FROM THEIR AMMUNITION AND INACCESSIBLE TO CHILDREN AND OTHER UNAUTHORIZED PERSONS.

SAFETY PRECAUTIONS

CHILDREN ARE ATTRACTED TO FIREARMS, AND MIGHT BE ABLE TO OPERATE THEM, THEY CAN CAUSE SEVERE INJURIES AND EVEN DEATH, TO THEMSELVES OR OTHERS. PREVENT CHILDREN FROM ACCESS, ALWAYS KEEP YOUR FIREARMS LOCKED AWAY, UNLOADED AND OUT OF REACH OF CHILDREN WHEN NOT IN USE AT ANY TIME.

THE FIREARM SHOULD BE STORED IN ROOMS WITH A DRY ATMOSPHERE AND MINIMUM HUMIDITY. IT SHOULD NOT BE STORED ENCASED IN LEATHER OR ANYTHING THAT WILL ATTRACT AND HOLD MOISTURE, CAUSING IT TO RUST.

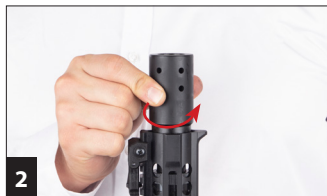
DO ALL PROCEDURES (DISASSEMBLY, CLEANING AND OTHER MAINTENANCE) ONLY WHEN THE FIREARM IS UNLOADED. BE SURE THAT THE MAGAZINE TUBE, RECEIVER AND CHAMBER ARE EMPTY WHILE YOU ARE PROCEEDING. CHECK EJECTION PORT, LOADING PORT AND CHAMBER VISUALLY.

ALL PRODUCTS HAVE 3" (76MM) CHAMBERS (EXCEPT OTHERWISE STATED). YOU CAN SEE MARKS ABOUT GAUGES AND CHAMBER LENGTH ON THE GUN. EVERY SHOTGUN HAS PASSED DURABILITY TEST WITH SPECIAL HIGH PRESSURE CARTRIDGES.

WHEN STORING THE GUN FOR A PROLONGED PERIOD OF TIME, IT IS NECESSARY TO OIL IT HEAVILY WITH AN ACID-FREE LUBRICANT. THE EXTERNAL PARTS MUST BE COATED WITH AN ANTI-RUST OIL OR GREASE TO PREVENT MOISTURE CAUSING THE PARTS TO RUST AND MALFUNCTION. BEFORE USAGE, THE SHOTGUN MUST BE CLEANED AND WIPED DRY AGAIN.

DISASSEMBLY OF THE FIREARM

- 1) Remove the magazine.
- 2) Unscrew the barrel shroud by turning in arrow direction.
- 3) Pull the foreend in arrow direction.



- 4) Push the detaching pin and pull from the other side until it sets.
- 5) Push the other detaching pin and pull from the other side until it sets.
- 6) Detach upper from lower.



- 7) Unscrew the gas system retaining nut by turning in arrow direction.
- 8) Remove the split rings.
- 9) Remove the piston, slide and gas block by pulling in arrow direction.



- 10) Remove the charging handle by pulling it.
- 11) Remove both barrel screws with an allen wrench one at a time.
- 12) Pull out the bolt assembly in arrow direction.



1) Pull the charging handle.



2) Insert the charging handle from the other side.



3) Make sure the handle is set.



BufferBolt® System



BASIC PARTS



P.NO	PART NAME
1	Lower Receiver
2	Magazine Catch
3	Magazine Catch Spring
4	Magazine Catch Button
5	Magazine Catch Screw
6	M6 Screw
7	Trigger
8	Disconnecter Spring
9	Disconnecter
10	Trigger Spring
11	Trigger Pin
12	Crescent washer
13	Safety
14	Safety Lever Right
15	Safety Retaining Screw
16	Safety Lever Left
17	Safety Retaining Screw
18	Safety Detent
19	Safety Spring
20	M4 Screw
21	Hammer
22	Hammer Pin Sleeve. Male
23	Hammer Pin Sleeve. Female
24	Hammer Spring
25	Hammer Pin
26	Crescent washer
27	Bolt Catch Spring
28	Bolt Catch
29	Bolt Catch Pin
30	Rear Takedown Pin
31	Extractor Spring Pin
32	Extractor Spring
33	M4 Screw

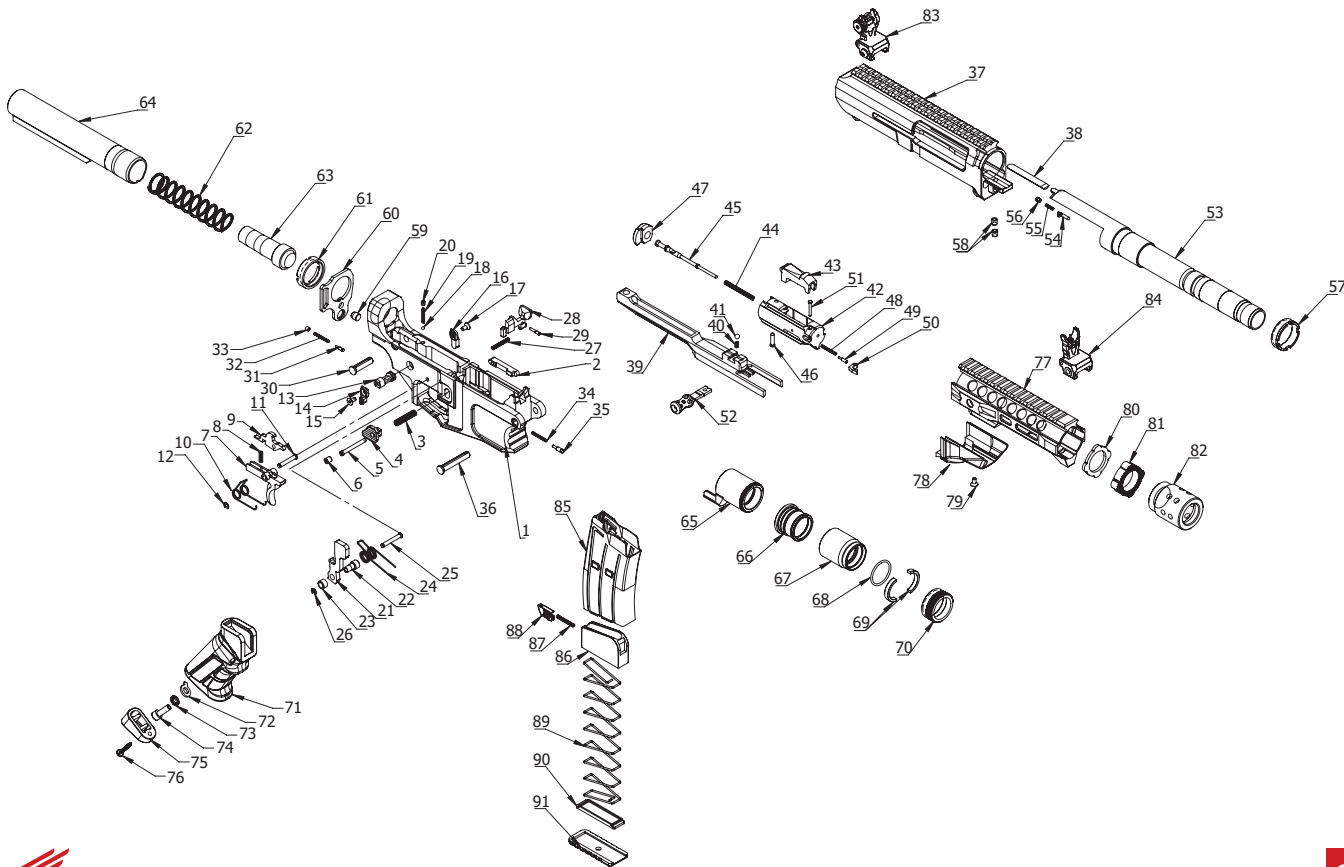
P.NO	PART NAME
34	Extractor Spring
35	Extractor Spring Pin
36	Front Takedown Pin
37	Upper Receiver
38	Pin
39	Slide Carrier
40	Ball Spring
41	5 Ø ball
42	Bolt
43	Lock
44	Firing Pin Return Spring
45	Firing Pin
46	Firing Pin Retaining Pin
47	Buffer Bolt System
48	Extractor Spring
49	Extractor Spring Pin
50	Extractor
51	Extractor Spring Pin
52	Cocking Handle
53	Barrel
54	Ejector
55	Ejector Spring
56	Ejector Screw
57	Barrel Retaining Nut
58	Barrel Retaining Screw
59	Detent Ball
60	Sling Plate
61	Pivot Nut
62	Bolt Return Spring
63	Bolt Buffer
64	Mil Spec Buffer Tube
65	Slide
66	Light Piston

P.NO	PART NAME
67	Gas Block
68	Gas Block O-Ring
69	Gas Block screw
70	Gas System Retaining Nut
71	Grip
72	Custom Washer
73	Serrated Washer
74	M6 Grip Connection Screw
75	Grip Cap
76	Grip Cap Screw
77	Forend
78	Handguard
79	Handguard Retaining Screw
80	Handguard Pivot Nut
81	Handguard Pivot Polymer Nut
82	Barrel Shroud
83	Rear Flip Up Sight
84	Front Flip Up Sight
85	5rd Magazine
86	Magazine Follower 5rd
87	Magazine Follower Extractor Spring
88	Magazine Follower Extractor
89	Magazine Spring
90	Magazine Base Plate Retainer
91	Magazine Base Plate

Note:

Some models will vary from exploded view.
Varies by state and country.

MAG FED SHOTGUN



WARNING

WARNING: SMOOTH BORE BARRELS LESS THAN 18"- ALL NFA RULES APPLY.

Shotguns and Firearms with smooth bore barrels that are less than 18" in length and/ or have an overall length of less than 26" are restricted and classified under the National Firearms Act of 1934 (NFA), the Gun Control Act of 1968 (GCA), and the Federal Regulations issued pursuant to those Acts. Before making a Short Barreled Shotgun (SBS) or Any Other Weapon (AOW), a non-licensee or FFL who has not paid the Special Occupation Tax (SOT) is required to register any NFA firearm via an ATF Form 1 (5320.1) and pay the required \$200.00 tax (SBS) or a \$5.00 tax (AOW) prior to acquisition of the parts required to assemble such firearm. This firearm, as delivered from the factory, is equipped with a single pistol grip only. Replacing the original pistol grip and/or adding a buttstock or an additional pistol grip risks changing this firearm's NFA classification, and may result in violation of federal law unless the proper ATF forms are completed, and the tax is paid. For more information about the National Firearms Act, visit www.atf.gov. For more information about the firearms which fall under the purview of the National Firearms Act, visit www.atf.gov/firearms/firearmsguide-identification-firearms-within-purview-national-firearms-a

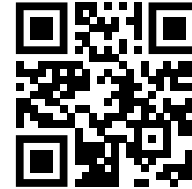
THIS FIREARM, AS DELIVERED FROM THE FACTORY, IS EQUIPPED WITH A SINGLE VRF GRIP ONLY. REPLACING THE VRF GRIP AND/ OR ATTACHING A BUTTSTOCK OR AN ADDITIONAL PISTOL GRIP RISKS CHANGING THIS FIREARM'S ATF CLASSIFICATION, AND MAY RESULT IN A VIOLATION OF NFA RESTRICTIONS UNLESS THE PROPER ATF FORMS ARE COMPLETED, AND THE TAX IS PAID. ALSO, CHECK WITH YOUR LOCAL LICENSED RETAILER OR STATE POLICE FOR ADDITIONAL RESTRICTIONS WHICH MAY BE IMPOSED BY STATE OR LOCAL LAW OR REGULATION ON FIREARMS OF THIS TYPE.

ORDERING PARTS

Visit our website to browse, learn more about and purchase parts for all of your Derya products.



www.derya.us



DERYA ARMS



DeryaArms



deryaarms



DeryaArms



Derya Arms



deryaofficial

LIMITED LIFETIME WARRANTY

South Derya Corporation dba Derya warrants that the enclosed firearm was originally manufactured free of defects in material, workmanship and mechanical function. For the lifetime of the original owner, Derya agrees to correct at its own expense any defect in a Derya Firearm for the original purchaser by means of adjustment, repair or replacement, as appropriate in Derya's sole discretion.

What and who is covered by this limited warranty?

This Limited Lifetime Warranty issued by South Derya Corporation dba Derya covers defects in material and workmanship for the original purchaser. This warranty is non-transferable and applies only to the original purchaser. The warranty includes repair, adjustment, or replacement of the firearm, at the manufacturer's discretion, with the same or comparable quality components, or replacement of the firearm itself.

What is not covered by this limited warranty?

This warranty is void if the firearm is: Misused, damaged accidentally or otherwise, or fired with hand-loaded, reloaded, or improper ammunition, Fired with an obstruction in the barrel or damaged due to failure to follow maintenance instructions provided in the manual, Altered or repaired by unauthorized personnel, including any cosmetic modifications, accessory items attached to the firearm are not covered, Damage to decorative finishes or any aftermarket modifications is not covered, and normal wear and tear is not included under this warranty.

What to do for warranty service?

To initiate a warranty claim, obtain a Return Merchandise Authorization (RMA) by contacting customer service by phone at 904-420-2923 or by visiting www.derya.us. Return the unloaded firearm, freight prepaid, to the address provided by customer service. Derya will provide free of charge a repaired, reconditioned, or new firearm (at Derya discretion).

Disclaimer and Limitation on Liability:

This Limited Warranty supersedes any and all express warranties. Implied warranties, including those of merchantability, non-infringement, and fitness for a particular purpose, are limited to the duration of this warranty period (the original purchaser's ownership of the product). No express or implied warranties will extend beyond this period.

Certain states do not permit limitations on the duration of implied warranties, so these limitations may not apply to you. Derya's responsibility for any product malfunctions or defects is strictly limited to the terms outlined in this Limited Warranty. This Limited Warranty represents Derya's sole obligation and your exclusive remedy. Under no circumstances will Derya be liable for incidental, special, or consequential damages, whether your claims arise from breach of contract, tort (including negligence and strict liability), or other legal theories. This includes, but is not limited to, any liability for economic loss, bodily injury, property damage, or any other damages resulting from the use or ownership of the product, whether foreseeable or not. Some states do not allow the exclusion or limitation of incidental or consequential damages, so these limitations may not apply to you.

No individual or entity is authorized to issue any additional warranty or assume any further obligations on behalf of Derya. If any part of this Limited Warranty is found to be prohibited or unenforceable in any jurisdiction, it will only affect that specific part, and the remainder of the warranty will remain valid and enforceable.

Jurisdiction and Governing Law: This Limited Warranty will be governed by and interpreted in accordance with the laws of the State of Florida, without regard to its conflict of law principles. Any disputes between the manufacturer and you, or your heirs, representatives, or assigns, must be filed in a court of competent jurisdiction within the 4th Judicial Circuit Court of the State of Florida. You agree to submit to the personal jurisdiction and venue of the Florida

ACTIVATE YOUR WARRANTY ONLINE AT: www.derya.us



Receive a discount code for our store when you submit warrant activation. If proof of purchase is not submitted with warranty activation, you will be asked to submit with warranty request.

International and Non-Commercial US: This warranty applies to U.S. commercial customers only. This warranty does not apply for Non-Commercial US Customers such as Military and Police. Non-U.S. customers should contact their local dealer or distributor for warranty coverage.





**Derya, Jacksonville,
Florida 32206
USA**



+1-904-420-2923



www.derya.us

